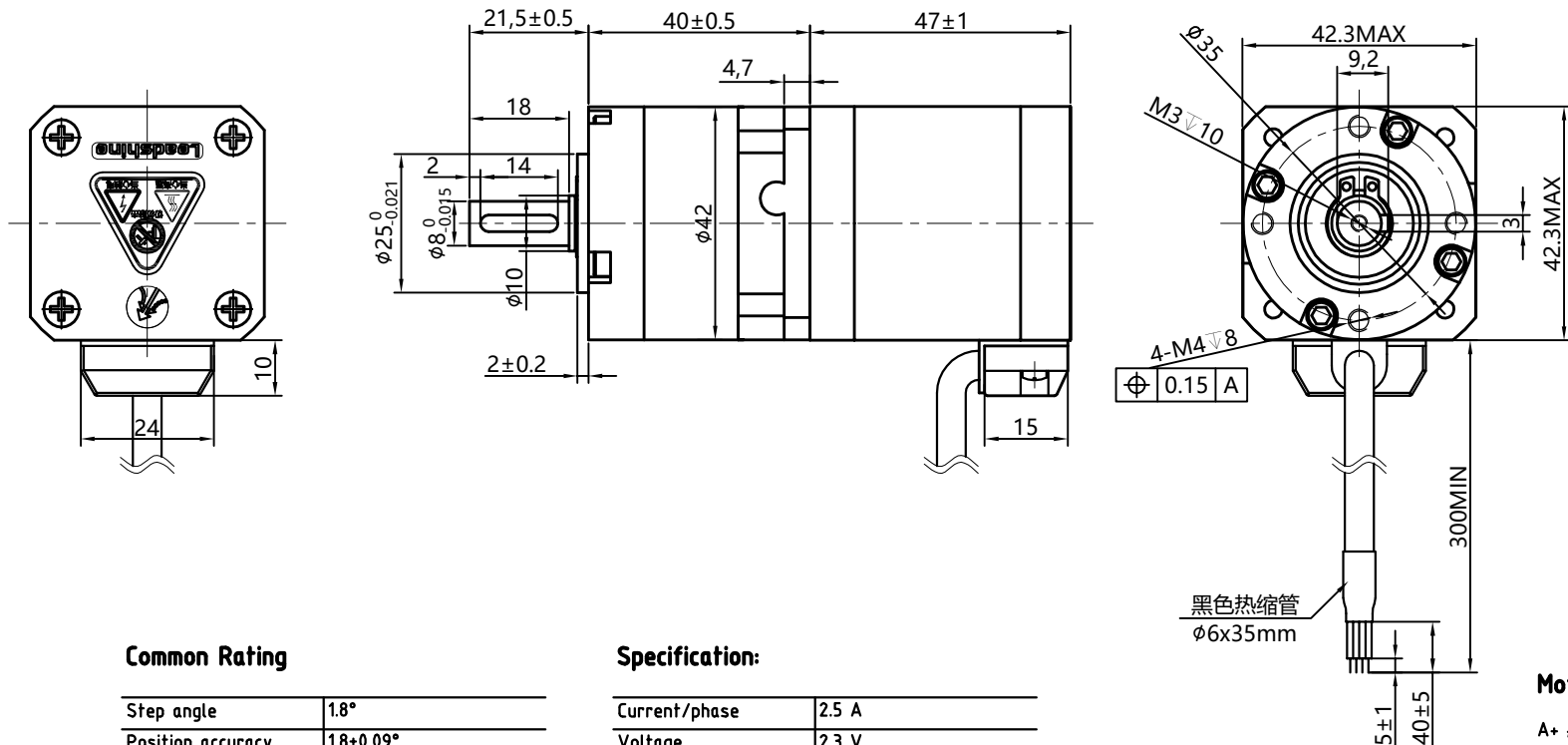


| | | | | | |
|--------|-------|----------------------|---------------------|-------------|--------|
| 标记Mark | 次数No. | 更改文件号File change No. | 更改内容Content changed | 签名Signature | 日期Date |
| | | | | | |

Dimension: (Unit: mm)



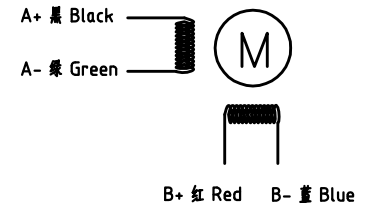
Common Rating

| | |
|-----------------------|-----------------------|
| Step angle | 1.8° |
| Position accuracy | 1.8±0.09° |
| Dielectric strength | 500VAC 1min |
| Insulation resistance | 100MΩ(500VDC) |
| Insulation class | B |
| Temp rise(Max) | 80K |
| Radial play | Max.0.02mm(Load 450g) |
| Axial play | Max.0.08mm(Load 900g) |

Specification:

| | |
|--------------------------|--------------------------|
| Current/phase | 2.5 A |
| Voltage | 2.3 V |
| DC Resistance/phase ±10% | 0.9 Ω |
| Inductance/phase ±20% | 1.6 mH |
| Holding torque | 0.6 N·M |
| Inertia | 0.072 kg·cm ² |
| Weight | 0.25 kg |
| Reduction ratio | 1:10 |

Motor Connctions:



技术要求:
 1、未注形位公差按GB/T 1184-K;
 2、未注尺寸公差按GB/T 1804-m。
 (除非另外指定)

| | | | | | | | |
|------------------|--------------|------------|-----------------------------|-------------|---------------|------------------|------------------|
| 设计 Designed | 杨陶 | 2021-10-09 | 标准化 Standardized | | 材料(Material): | 名称(Title) | 开环步进电机 |
| 制图 Drawn | 杨陶 | 2021-10-09 | 审核 Checked | 王洪松 | 2021-10-09 | 型号(Model) | 42CM06-RD10 MS20 |
| 校对 Proofread | | | 批准 Approved | 袁建建 | 2021-10-09 | 重量(Weight)/g: | 图号(DWG No.) |
| 工艺 Processed | | | 版本/版次 Edition/Serial NO. | A/01 | 2021-10-09 | 阶段标记(Stage Mark) | 料号(Part No.) |
| 表单编号 Form No. | LS-MT-01-07B | | 共1页第1页 | Page 1 of 1 | 比例(Scale) | 1:1 | |

