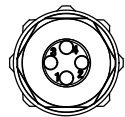
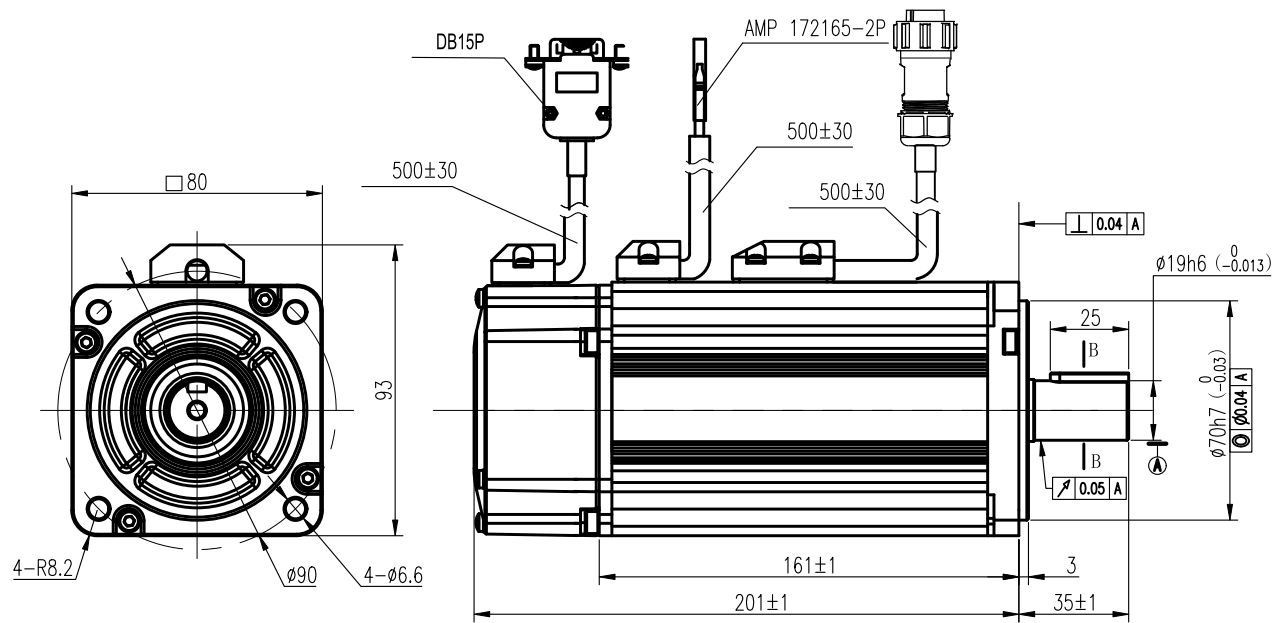
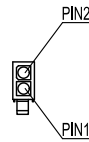


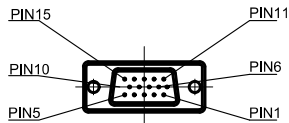
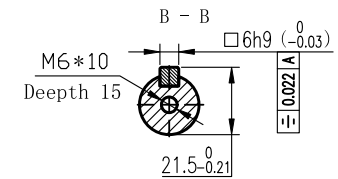
Rated voltage (VDC)	48
Rated power (W)	1000
Rated torque (N.m)	3.2
Max torque (N.m)	9.6
Rated speed (rpm)	3000
Max speed (rpm)	4000
Rated current (A)	28
Max current (A)	86
Torque constant (N.m/A)	0.11
Back EMF constant (mV/rpm)	7.7
Inertia(kg*m ² *10 ⁻⁴)	2.2
Resistance(Ω)	0.06
Inductance(mH)	0.17
Motor poles	8
Encoder	1000lines
Encoder cable	28AWG
Power cable	12AWG
Protection level	IP54



Type	Power connector			
Pin	1	2	3	4
Defi	U	V	W	FG
Color	Red	Blue	Black	Yellow/green



Type	Brake connector	
Pin	1	2
Defi	Black	Red
Color	GND	DC24V



Type	DB15 Male of Encoder connector														
Pin	1	2	3	4	5	6	7	8	9	10	11	12	13	14	15
Defi	A+	B+	GND	W+	U+	PE	Z+	Z-	V+	V-	A-	B-	+5V	W-	U-

Leadshine Technology Co .Ltd

ELDM80100V48GM-A4-HD

1000w servo motor with 1000 lines encoder
80mm frame size/48V/Brake