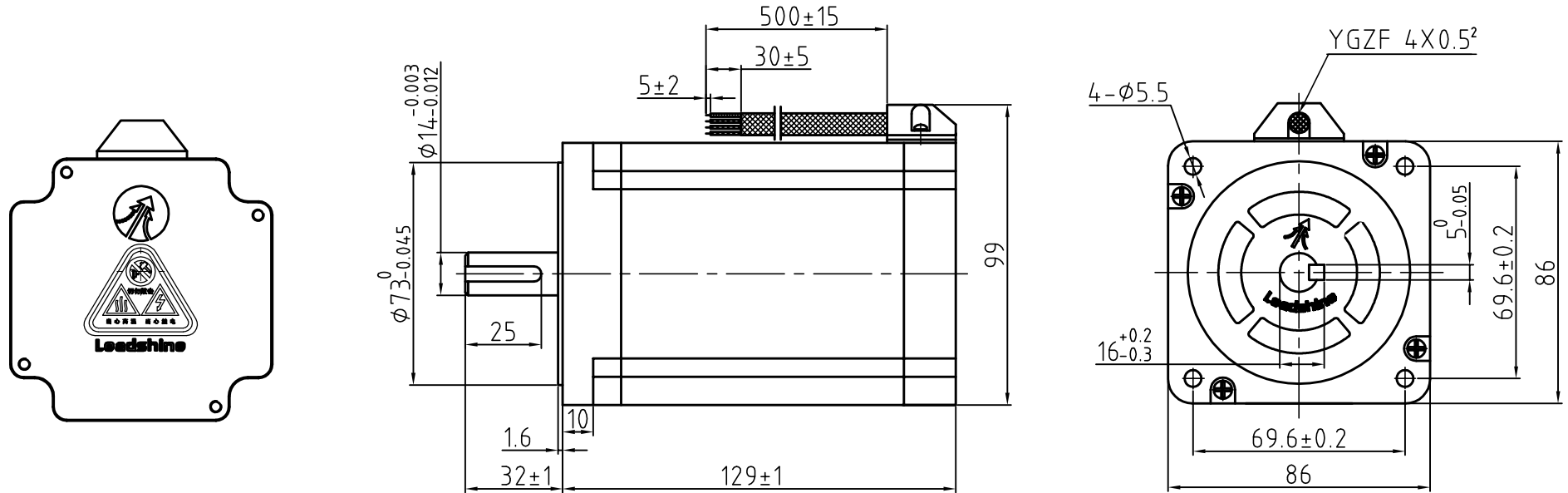


| 版本 Rev. | 日期 Date | 变更文件号 ECN NO. | 变更内容 Revisions | 设计 By |
|---------|---------|---------------|----------------|-------|
| V1.0    | 17.8.1  |               | 带LOGO,黑色端盖     | 王洪松   |

Dimension: (Unit: mm)



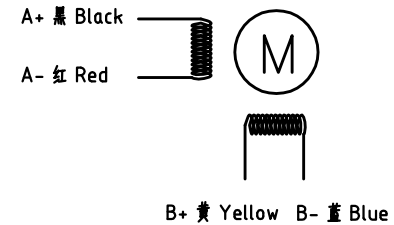
### Common Rating

|                       |                       |
|-----------------------|-----------------------|
| Step angle            | 1.8°                  |
| Position accuracy     | 1.8±0.09°             |
| Dielectric strength   | 1000VAC 1min          |
| Insulation resistance | 100MOhm(500VDC)       |
| Insulation class      | B                     |
| Temp rise(Max)        | 80K                   |
| Radial play           | Max.0.02mm(Load 450g) |
| Axial play            | Max.0.08mm(Load 900g) |

### Specification

|                          |             |
|--------------------------|-------------|
| Current/phase            | 6.0 A       |
| Voltage                  | 4.5 V       |
| DC Resistance/phase ±10% | 0.75 Ω      |
| Inductance/phase ±20%    | 5 mH        |
| Holding torque           | 12 N·M      |
| Inertia                  | 2.94 kg·cm² |
| Weight                   | 4.45 kg     |

### Motor Connctions



|                  |              |                             |                                 |                |  |
|------------------|--------------|-----------------------------|---------------------------------|----------------|--|
| 设计<br>Designed   | 王洪松          | 日期<br>Date                  | 20.08.09                        | 材料<br>Material | 深圳市雷赛智能控制股份有限公司<br>SHENZHEN LEADSHINE TECHNOLOGY CO., LTD. |
| 审核<br>Checked    | 袁捷进          | 20.08.09                    | 第一角画法<br>First Angle projection | 名称<br>Title    | 混合式步进马达  |
| 批准<br>Approved   | 袁捷进          | 20.08.09                    | 版本/版次<br>A/01                   | 比例 Scale       | 86CM120C   |
| 零件编号<br>Part No. | LS-MT-01-07A | 共 1 张 第 1 张<br>Sheet 1 of 1 | 图号<br>DWG. NO.                  | LS-86CM120C    |  |