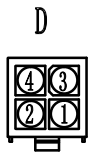
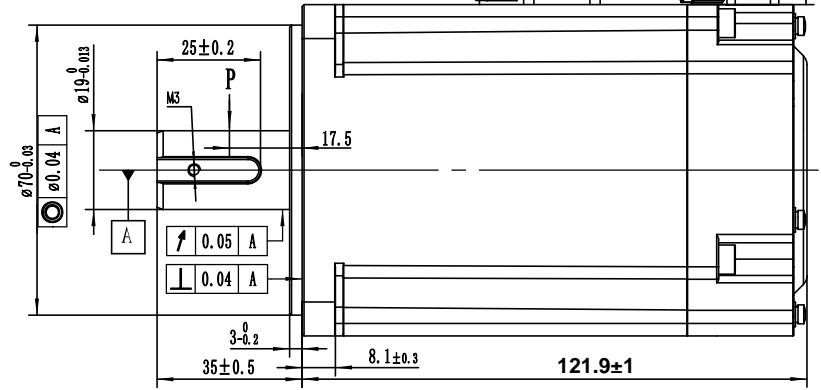
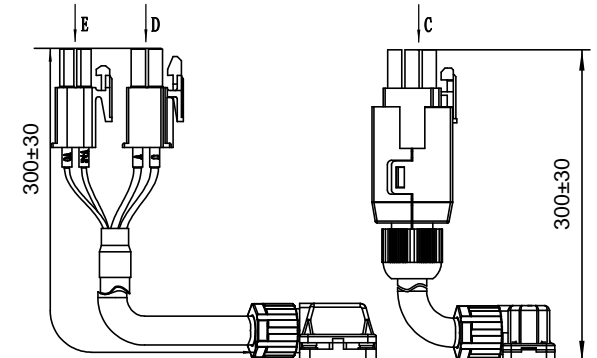
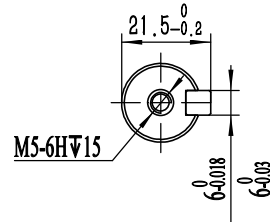
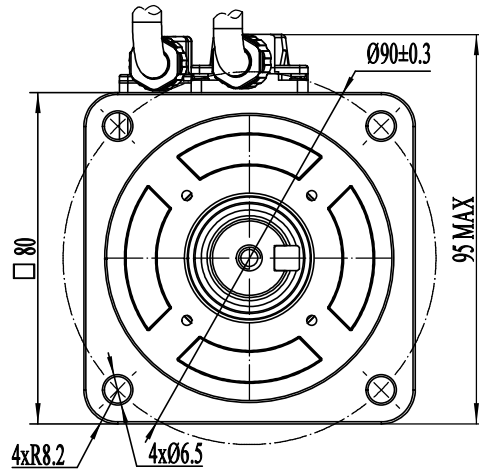
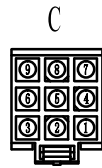


| | |
|--|----------------------|
| Rated Voltage (Vac) | 220 |
| Rated Power (w) | 750 |
| Rated Torque (N.m) | 2.39 |
| Peak Torque (N.m) | 7.17 |
| Rated Speed (rpm) | 3000 |
| Peak Speed (rpm) | 5000 |
| Rated Current (Amp) | 4.1 |
| Peak Current (Amp) | 13.4 |
| Torque Const (N.m/Amp) | 0.645 |
| Back EMF Const (V/krpm) | 39 |
| Resistance (Ω) | 1.7 |
| Inductance (mH) | 8 |
| Inertia (kg*m ² *10 ⁻⁴) | 1.65 |
| Poles | 10 |
| Encoder type | 23bit optical |
| IP rating | IP65 |
| Mass (Kg) | 2.7 |



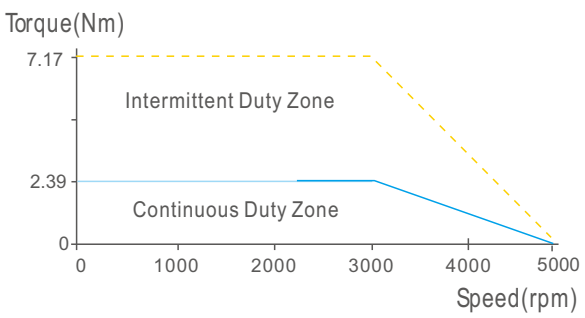
| Wiring details of Power cable connector | | | | | | |
|---|------|-----|-------|---------|----|----|
| Pos | 1 | 2 | 3 | 4 | -- | -- |
| Signal | U | W | V | PE | -- | -- |
| Color | blue | red | black | Yel/Gre | -- | -- |



| Wiring details of encoder cable connector | | | | | | | |
|---|--------|-------|-------|------|--------|------|--------|
| Pos | 1 | 2 | 3 | 4 | 5 | 6 | 7 |
| Signal | PE | 5V | 0V | SD+ | SD- | Bat+ | Bat- |
| Color | shield | white | black | blue | purple | red | yellow |



| Brake connector | | |
|-----------------|-------|-----|
| Pos | 1 | 2 |
| Signal | 0V | 24V |
| Color | black | red |



Leadshine Technology Co.,Ltd

ELM2-0750LH80E-SS MS30

80mm, high inertia, 750w servo motor
23bit optical encoder, brake